

⚡ Specifications

Nominal Voltage(V)

12V

Nominal Capacity

10 hour rate	(15.5A to 10.80V)	155Ah
5 hour rate	(26.35A to 10.20V)	131.8Ah
1 hour rate	(93A to 9.60V)	93Ah
1 C	(155A to 9.60V)	77.5Ah

Weight

Approx. 49.0kg(108Lbs.)

Internal Resistance (at 1KHz)

Approx. 4.5 mΩ

Maximum Discharge Current for

5 seconds: 1550A

Charging Methods at 25°C(77°F)

Cycle use:

Charging Voltage	14.4 to 15.0V
Coefficient	-5.0mV/°C/cell
Maximum Charging Current :	46.5A

Standby use:

Float Charging Voltage	13.5 to 13.8V
Coefficient	-3.0mV/°C/cell

Operating Temperature Range

Charge	-15°C(5°F)	to	40°C(104°F)
Discharge	-15°C(5°F)	to	50°C(122°F)
Storage	-15°C(5°F)	to	40°C(104°F)

Charge Retention (shelf life) at 20°C(68°F)

1 month	98%
3 month	94%
6 month	85%

Case Material

ABS UL94 HB

Option: Flammability resistance of (UL94 V-0)

Design Life

12 Years.

Terminal

F18



⚡ Dimensions

Length (L)

550±3 (21.65±0.12)

Width (W)

110±3 (4.33±0.12)

Height (H)

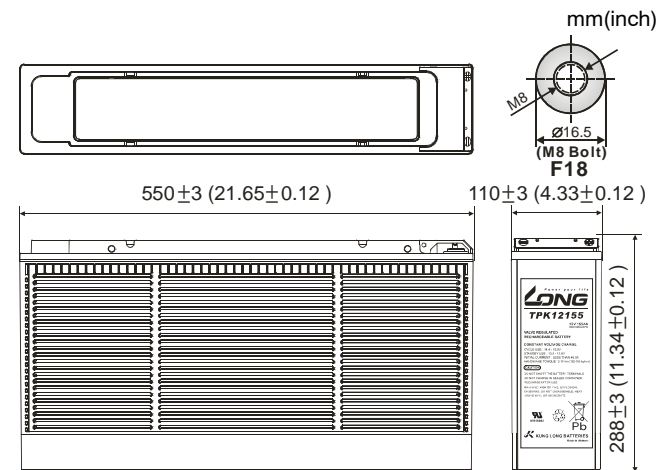
288±3 (11.34±0.12)

Overall Height (HT)

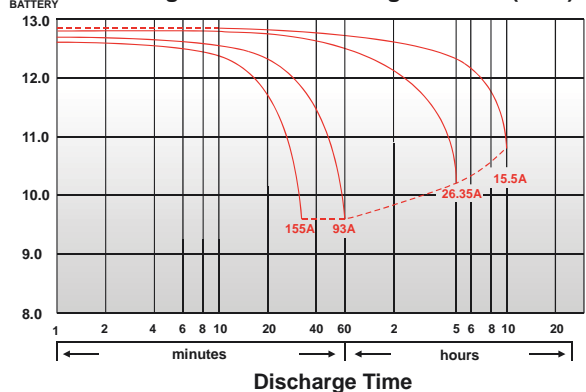
288±3 (11.34±0.12)

Description of torque value of hard ware for the terminals:

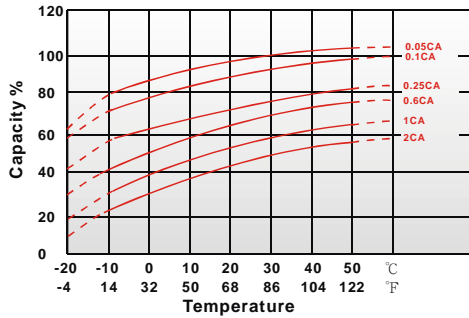
Recommended torque value	M8:12 N-m (122kgf-cm)
Maximum allowable torque value	M8:15 N-m (153kgf-cm)



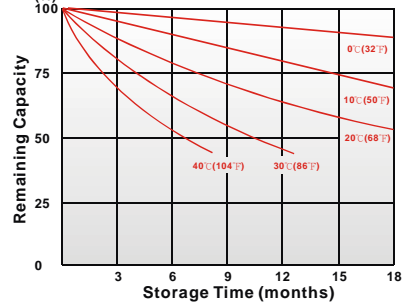
(V) Discharge Time VS. Discharge Current (25°C)



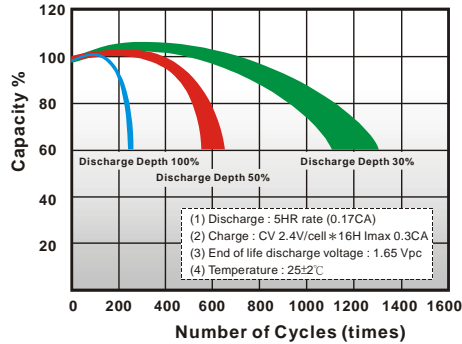
Effect of Temperature on Capacity 25°C (77°F)



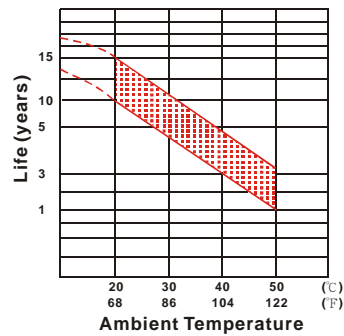
Capacity Retention Characteristic



Cycle Service Life



Trickle (or float) Service Life



- PERFORMANCE DATA

Discharge Rates in Watts to Various End Voltages at 25°C (77°F)

End Voltage		1.85V	1.80V	1.75V	1.70V	1.67V	1.65V	1.60V
15	min	347	425	479	514	524	535	546
30	min	207	253	285	306	313	321	325
60	min	171	181	185	187	189	190	191
120	min	97.8	103	107	113	114	115	118
180	min	75.7	80.5	83.0	85.2	86.0	87.0	88.0
240	min	58.7	62.7	64.8	66.7	67.3	68.2	69.0
300	min	49.8	52.8	54.8	56.3	56.8	57.5	58.2
480	min	37.8	39.7	41.0	40.5	40.8	41.3	41.8
600	min	30.3	31.5	32.3	33.0	33.2	33.5	33.8
1200	min	15.4	16.1	16.7	17.0	17.2	17.3	17.5

- Discharge Rates in Amperes to Various End Voltages at 25°C (77°F)

End Voltage		1.85V	1.80V	1.75V	1.70V	1.67V	1.65V	1.60V
15	min	208	252	275	291	297	304	312
30	min	113	138	156	165	168	172	177
60	min	83.2	94.4	97.9	100	101	102	103
120	min	46.1	54.5	56.7	58.6	59.3	60.1	61.2
180	min	33.9	39.1	40.8	42.1	42.6	43.2	43.9
240	min	28.4	30.9	32.1	33.0	33.3	33.7	34.1
300	min	24.6	26.5	27.3	27.9	28.1	28.4	28.7
480	min	17.1	17.9	18.5	18.9	19	19.2	19.3
600	min	15.0	15.7	16.1	16.3	16.4	16.5	16.6
1200	min	7.82	8.14	8.38	8.47	8.52	8.57	8.62

All data on the spec. sheet is an average value:

The tolerance range : X<6min(+15%~-15%), 6min ≤ X < 10min(+12%~-12%), 10min ≤ X < 60min(+8%~-8%), X ≥ 60min(+5%~-5%)

140618-1H